

Part number list on following page.

Beginning Manufacturing Date: June 2009
Ending Manufacturing Date: Active

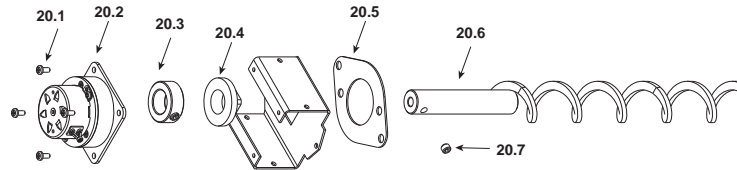
IMPORTANT: THIS IS DATED INFORMATION. Parts must be ordered from a dealer or distributor. **Hearth and Home Technologies does not sell directly to consumers.** Provide model number and serial number when requesting service parts from your dealer or distributor.



Stocked at Depot

ITEM	DESCRIPTION	COMMENTS	PART NUMBER	
1	Hopper Lid		SRV7050-132	
	Hopper Lid Stop (Prep Rod)		SRV7050-126	
2	Top		SRV7050-101	
3	Door Hinge Assembly		SRV7019-014	
	Hinge, Door, Male		450-2810	
4	Baffle Assembly		7001-034	Y
5	Brick, Left / Right, Cast		414-0270	
6	Brick, Center, Cast		414-0260	
7	Snap Disc, 110-20, #1		SRV230-1220	Y
8	Blower, Convection		812-4900	Y
	Blower Magnet	Pkg of 10	7019-188/10	Y
9	Pedestal Side Curtain		SRV7050-105	
10	Side Curtain Assembly		SRV7050-005	
11	Pedestal Back		SRV7050-134	
12	Vacuum Switch		SRV7000-531	Y
13	Control Board 3 Speed		SRV7000-704	Y
14	Wire Harness / Junction Box		SRV7001-194	Y
	Switch, 3-Position - Heat Output Rocker Switch		812-3500	Y
15	Hopper Switch		7000-375	Y
16	Back		SRV7050-102	
17	Exhaust Transition Assembly		SRV7001-009	
18	Blower, Exhaust		812-4400	Y
	Gasket, Exhaust Blower (Between...)	Housing & Stove	240-0812	Y
		Motor & Housing	812-4710	Y
19	Snap Disc #2		SRV7000-268	Y

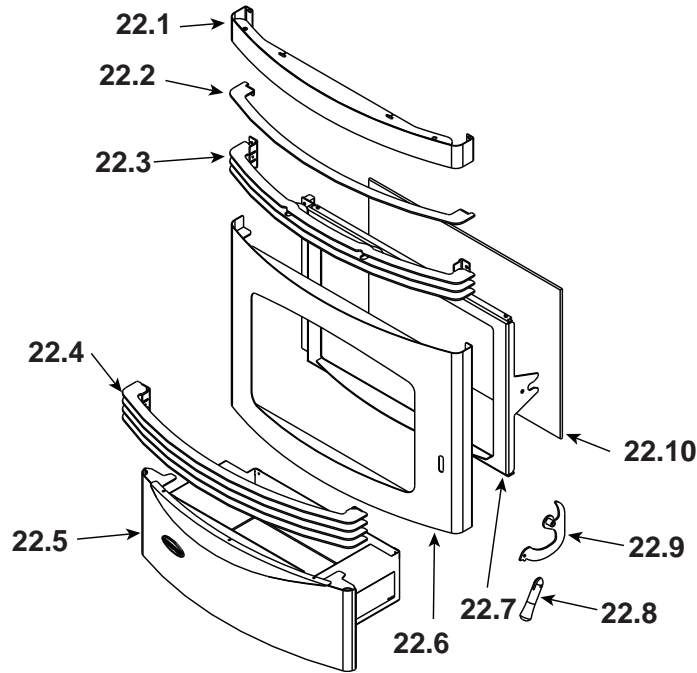
#20 Feed Assembly



20	Feed Assembly		812-4760	Y
20.1	Screw 8-32 x 3/8	Pkg of 40	225-0500/40	Y
20.2	Feed Motor		812-4421	Y
20.3	Collar, Set, 7/8		229-0520	
20.4	Bearing, Feed System, Nylon		SRV7000-598	Y
20.5	Gasket, Feed Motor		240-0731	Y
20.6	Feed Spring Assembly (Only)		SRV7001-046	Y
20.7	Screw, 5/16-18 x 1/4	Pkg of 25	225-0550/25	Y
21	Snap Disc, Manual Reset #3		SRV230-1290	Y

Additional service part numbers appear on following page.

#22 Face Assembly



IMPORTANT: THIS IS DATED INFORMATION. Parts must be ordered from a dealer or distributor. **Hearth and Home Technologies does not sell directly to consumers.** Provide model number and serial number when requesting service parts from your dealer or distributor.

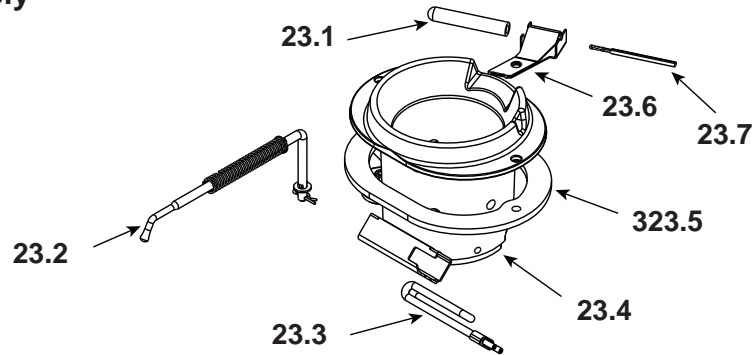


Stocked at Depot

ITEM	DESCRIPTION	COMMENTS	PART NUMBER	
22.1	Top Face Assembly		7019-047	
22.2	Grill Bar (Scraper)	Black	7019-119	
22.3	Upper Grill Assembly	Black, 3 Pc	7019-007	
22.4	Lower Grill Assembly	Black, 4 Pc	7019-008	
	Grill Bracket Cover		7019-199	
22.5	Ash Drawer Assembly		SRV7050-002	
	Logo, Quadra-Fire	Pkg of 10	7000-649/10	
22.6	Face Assembly		SRV7019-045	
22.7	Door Assembly		7019-013	
22.8	Door Handle Black Nickel		7019-174	
22.9	Door Latch Assembly		7019-015	
22.10	Glass Assembly/w gasket - 17-1/4 in. W x 11-5/8 in H		7001-038	Y
	Door Handle Assembly		SRV7019-037	
	Face Skin Assembly		SRV7019-046	
	Gasket, Tadpole, 3/8 - Field Cut to Size	10 Ft	842-5130	Y
	Hinge, Female		450-2910	
	Pin 3/16 x 1/2		7000-229	
	Retainer, Rope		7001-192	Y
	Tape, 1/2" x 1/16 - Field Cut to Size	10 Ft	240-0290/10	Y
	Tape, Door Corner - Field Cut to Size	1 Ft	SRV7027-227	Y

Additional service part numbers appear on following page.

#23 Firepot Assembly



IMPORTANT: THIS IS DATED INFORMATION. Parts must be ordered from a dealer or distributor. **Hearth and Home Technologies does not sell directly to consumers.** Provide model number and serial number when requesting service parts from your dealer or distributor.



**Stocked
at Depot**

ITEM	DESCRIPTION	COMMENTS	PART NUMBER	
23.1	Thermocouple Cover	Pkg of 10	812-4920	Y
23.2	Pull Rod Assembly		7019-009	
	Pull Rod Black Nickel		7019-172	
	Spring, Firepot		200-2050	
23.3	Heating Element Assembly 18" (Loop Igniter)	Pkg of 1	SRV7000-462	Y
		Pkg of 10	SRV7000-462/10	Y
23.4	Firepot Assembly		SRV414-5200	Y
23.5	Gasket, Firepot		240-0930	Y
23.6	Thermocouple Clamp		SRV7001-203	Y
23.7	Thermocouple		812-4470	Y
	Bracket for Snap Disc #3 only		7005-253	
	Component Pack Assembly (w/Power Cord, Thermostat & Harness, Firepot Cleanout Tool, Touchup-Paint, Owners Manual, Warranty Card, "How-To-Operate" Dvd)		SRV7050-011	
	Cleanout Tool		414-1140	Y
	Dvd Original Energy Stove		7000-440	
	Harness, Thermostat Wire	25 Ft	230-0810	
	Deflector, Bottom Airwash		413-0680	
	Feed Adjustment Plate		7001-182	
	Hose, Vacuum, 5/32 Id - Field Cut to Size	3 Ft	SRV240-0450	Y
	Magnet Round		SRV7000-140	Y
	Plate, Ash Cleanout		7001-186	
	Reset Button Assembly		SRV7000-040	
	Scraper Repair Kit		SCRAPER-SF	
	Wire Harness Hopper Switch		SRV7050-130	Y
	Wire Harness for Snap Disk #2		7001-224	

Additional service part numbers appear on following page.

IMPORTANT: THIS IS DATED INFORMATION. Parts must be ordered from a dealer or distributor. **Hearth and Home Technologies does not sell directly to consumers.** Provide model number and serial number when requesting service parts from your dealer or distributor.



**Stocked
at Depot**

ITEM	DESCRIPTION	COMMENTS	PART NUMBER	
ACCESSORIES				
	Collar, Offset, Top Vent	3" to 6"	812-3570	
	Log Set		LOGS-30-OE	
	Outside Air Kit, Rear		811-0872	
	Channel, Air Intake		413-7040	
	Cover, Outside Air Kit, Floor		411-1071	
	Hose, Alum Flex, 2 Inch x 3 Ft	3 Ft	200-0860	
	Outside Air Cap Assembly		7001-044	
	Outside Air Collar Assembly		7001-045	
	Trim Plate, Outside Air Kit		412-7100	
	Smart-Batt II, Battery Operated		841-0970	
	Smart-Stat II, receiver Requires 110 VAC		841-0960	
	Thermostat, Mechanical		812-3760	Y
	Thermostat, Programmable		811-0520	
	Top Vent Adapter		TPVNT-2	
	Vent Adapter, 3-4"		811-0720	
	Vent Adapter, 90, Cleanout		TPVNT-6	
	Vent Adapter, Rear		811-0620	
FASTENERS				
	Avk Rivnut Repair Kit - 1/4-20 & 3/8-16 Rivnut Tools		RIVNUT-REPAIR	Y
	Bolt, Hex Head, 1/4-20 X 1	Pkg of 10	25221A/10	Y
	Bumper, Rubber	Pkg of 12	SRV224-0340/12	Y
	Nut, Ser Flange Small 1/4-20	Pkg of 24	226-0130/24	Y
	Screw Flat Head Screw 1/4-20	Pkg of 24	7000-130/24	Y
	Screw, Flat Head Philips 8-32 X 1/2	Pkg of 10	832-0860	Y
	Screw, Machine Screw 1/4-20 X 5/8	Pkg of 24	220-0440/24	Y
	Screw, Pan Head Philips 8-32 X 3/4	Pkg of 24	229-1100/24	Y
	Screw, Pan Head Philips, 10/32 x 1/4	Pkg of 24	229-1230/24	Y
	Screw, Sheet Metal #8 X 1/2 S-Grip	Pkg of 40	12460/40	Y
	Screw, Wing Thumb, 8-32 x 1/2	Pkg of 24	7000-223/24	Y
	Screw, 5/16 - 18 x 1-1/2	Pkg of 24	7000-101/24	Y