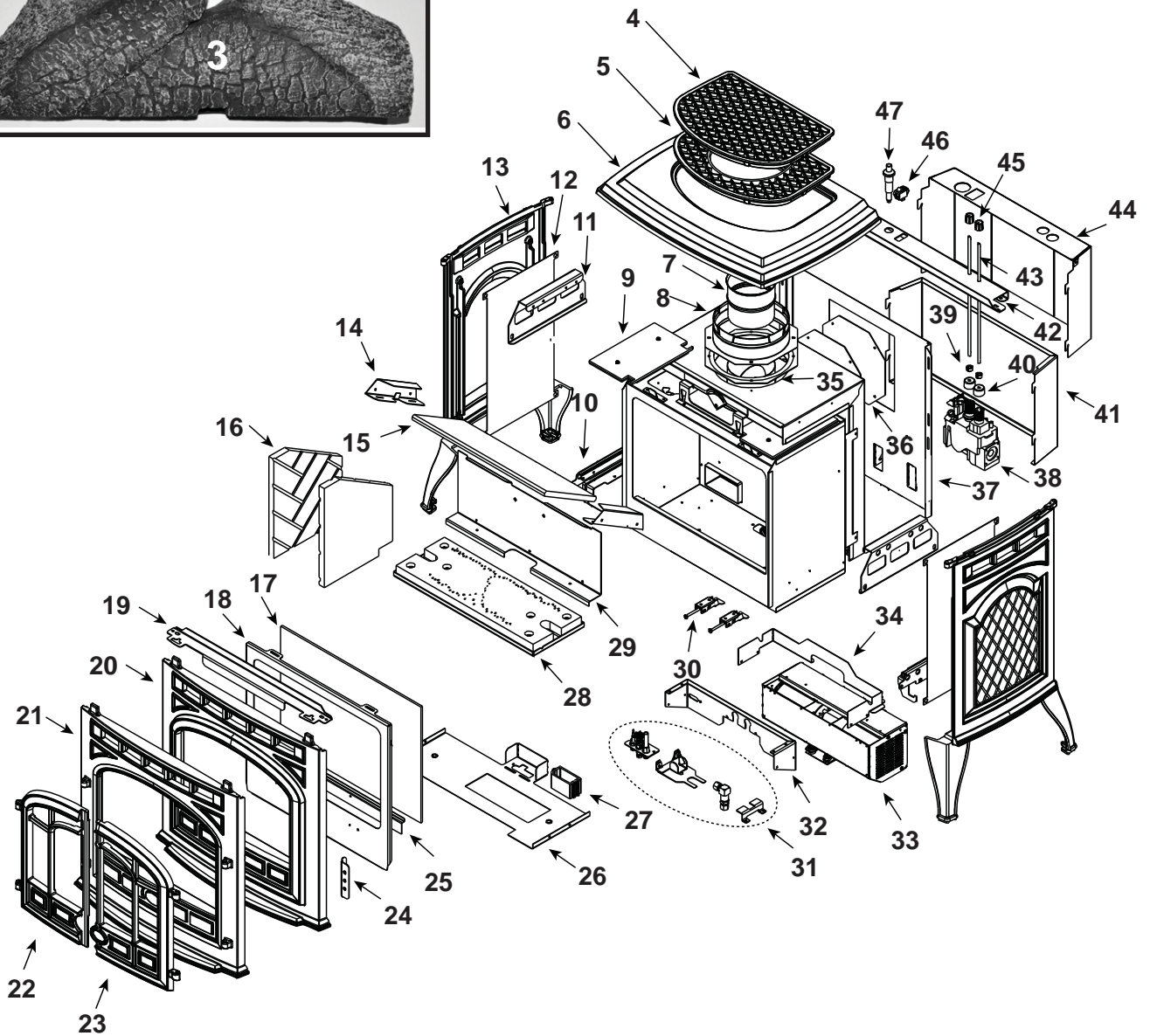
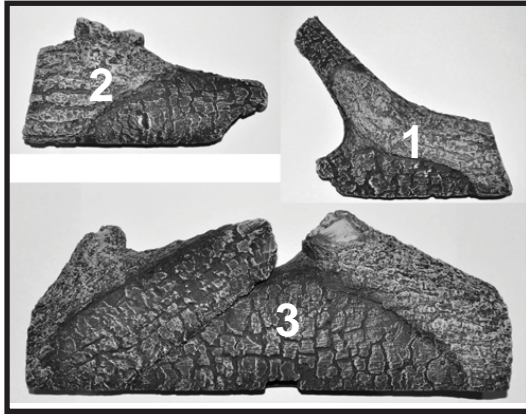


SAPPHIRE-D-CSB, SAPPHIRE-D-MBK, SAPPHIRE-D-PMH,
SAPPHIRE-D-CWL (6/10-3/11)

Log Set Assembly



Part number list on following page.

IMPORTANT: THIS IS DATED INFORMATION. Parts must be ordered from a dealer or distributor. **Hearth and Home Technologies does not sell directly to consumers.** Provide model number and serial number when requesting service parts from your dealer or distributor.



Stocked at Depot

ITEM	DESCRIPTION	COMMENTS	PART NUMBER	
	Log Set Assembly		SRV7055-013	Y
1	Log 1		7055-124	
2	Log 2		7055-125	
3	Log 3		7055-126	
4	Grill Rear Vent		RV-SA-MBK	
5	Top Vent Grill	CSB	455-0370CSB	
		CWL	455-0370CWL	
		MBK	455-0370MBK	
		PMH	455-0370PMH	
6	Top	CSB	SRV7055-101CSB	
		CWL	SRV7055-101CWL	
		MBK	SRV7055-101MBK	
		PMH	SRV7055-101PMH	
7	SLP Stove Adapter		SLP-SAM	
8	DV Adapter		7010-172	
9	Relief Door Assembly		7010-003	
10	Cast Retainer Assembly		SRV7055-008	
11	Cast Mount Side Top		SRV7055-114	
12	Side Heat Shield		SRV7055-120	
13	Side , Left or Right	CSB	SRV7021-125CSB	
		CWL	SRV7021-125CWL	
		MBK	SRV7021-125MBK	
		PMH	SRV7021-125PMH	
14	Baffle Bracket		7010-137	
15	Baffle		7010-136	Y
16	Refractory Assembly		BRICK-T1	
17	Glass Assembly		7010-017	Y
18	Door Assembly		7010-016	Y
19	Cast Retainer Front		SRV7055-108	
20	Front , Solitaire	MBK	SRV7055-123MBK	
21	Front , Cabinet Style	CSB	SRV7055-103CSB	
		CWL	SRV7055-103CWL	
		MBK	SRV7055-103MBK	
		PMH	SRV7055-103PMH	

Beginning Manufacturing Date: June 2010
Ending Manufacturing Date: Active

IMPORTANT: THIS IS DATED INFORMATION. Parts must be ordered from a dealer or distributor. **Hearth and Home Technologies does not sell directly to consumers.** Provide model number and serial number when requesting service parts from your dealer or distributor.



**Stocked
at Depot**

ITEM	DESCRIPTION	COMMENTS	PART NUMBER	
22	Door Left	CSB	SRV7055-107CSB	
		CWL	SRV7055-107CWL	
		MBK	SRV7055-107MBK	
		PMH	SRV7055-107PMH	
23	Door, Right	CSB	SRV7055-105CSB	
		CWL	SRV7055-105CWL	
		MBK	SRV7055-105MBK	
		PMH	SRV7055-105PMH	
24	Cast Front Hook		SRV7055-110	
25	Glass Retainer		7010-121	
26	Burner Plate Assembly		7010-022	
27	Pilot Spacer		7031-256	
28	Burner With Neck		SRV7010-025	Y
29	Log Support Rear		7010-134	
30	Draw Latch A1-10-501-10		229-0640	Y
31				
31.1	Pilot, 3 Flame, Flush Mount		230-1781	Y
	Injector, Pilot, Ez, LP, 35		200-2630	Y
	Thermocouple		200-2950	Y
	Thermopile/Generator, Millivolt		842-0250	Y
31.2	Shutter Assembly		SRV7010-027	Y
31.3	Bulkhead		26457	Y
31.4	Bulkhead Stop		474-0090	
32	Blower Bracket		7010-146	
33	Blower Assembly		BK-GAS	
34	Blower Bracket Rear		7009-103	
35	Adapter Gasket		460-0610	
36	Gasket, Cover Plate		7010-160	
37	Back Shield Support		SRV7055-115	
38	Valve, NG		230-0710	Y
	Valve, LP		230-0720	Y

Additional service parts on following page

IMPORTANT: THIS IS DATED INFORMATION. Parts must be ordered from a dealer or distributor. **Hearth and Home Technologies does not sell directly to consumers.** Provide model number and serial number when requesting service parts from your dealer or distributor.



Stocked
at Depot

ITEM	DESCRIPTION	COMMENTS	PART NUMBER	
39	Set Collar 1/4		229-0750	
40	Adapter, Valve Extension		450-6330	
41	Back Shield Lower		SRV7055-112	
42	Cast Retainer Rear		SRV7055-109	
43	Control Rod		455-0340	
44	Back Shield Upper		SRV7055-111	
45	Knob, Rheostat (Black)	Qty 2 req	100-512	Y
46	Switch, Rocker, On/Off		230-0730	Y
47	Piezo Ignitor		291-513	Y
	Component Pack Assemblies Containing: On/Off Valve, LP Orifice, Mineral Wool, LP Injector Pilot, Nut Kep, LP Regulator, Leveling Assembly, Snap Disc Bracket, Manual. Conversion label and Touch Up paint	MBK	SRV7055-005	
		CSB	SRV7055-009	
		CWL	SRV7055-010	
		PMH	SRV7055-011	
	3/8 Flare x 3/8 NPT Elbow		4021-045	
	Brass Elbow		17524	
	Cover Plate		7010-159	
	Door Retainer		7010-122	
	Flex Line 3/8 Flare x 22L		7000-197	Y
	Gasket Flue Collar		455-0660	
	Leveling Assembly		7000-000	
	Line, Gas, T6-18		450-6360	
	Magnet Round		SRV7000-140	Y
	Mineral Wool		050-721	
	On/Off Valve		15697	Y
	Orifice N (.106)		19837	Y
	Orifice LP .063		17236	Y
	Pilot Spacer		7010-175	
	Plate, Damper		468-0360	
	Snap Disc Bracket		7009-108	
	Touch up Paint	MBK	812-0910	
		CSB	TOUCHUP-CSB	
		CWL	TOUCHUP-CWL	
		PMH	855-1450	
	Wire Harness		7010-156	

